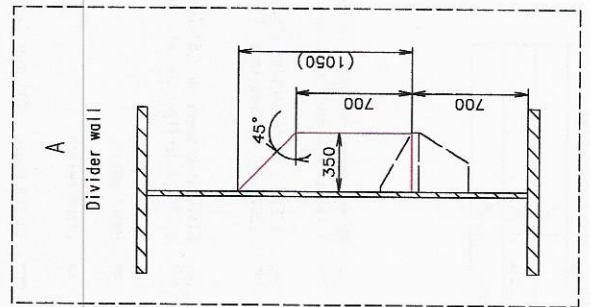
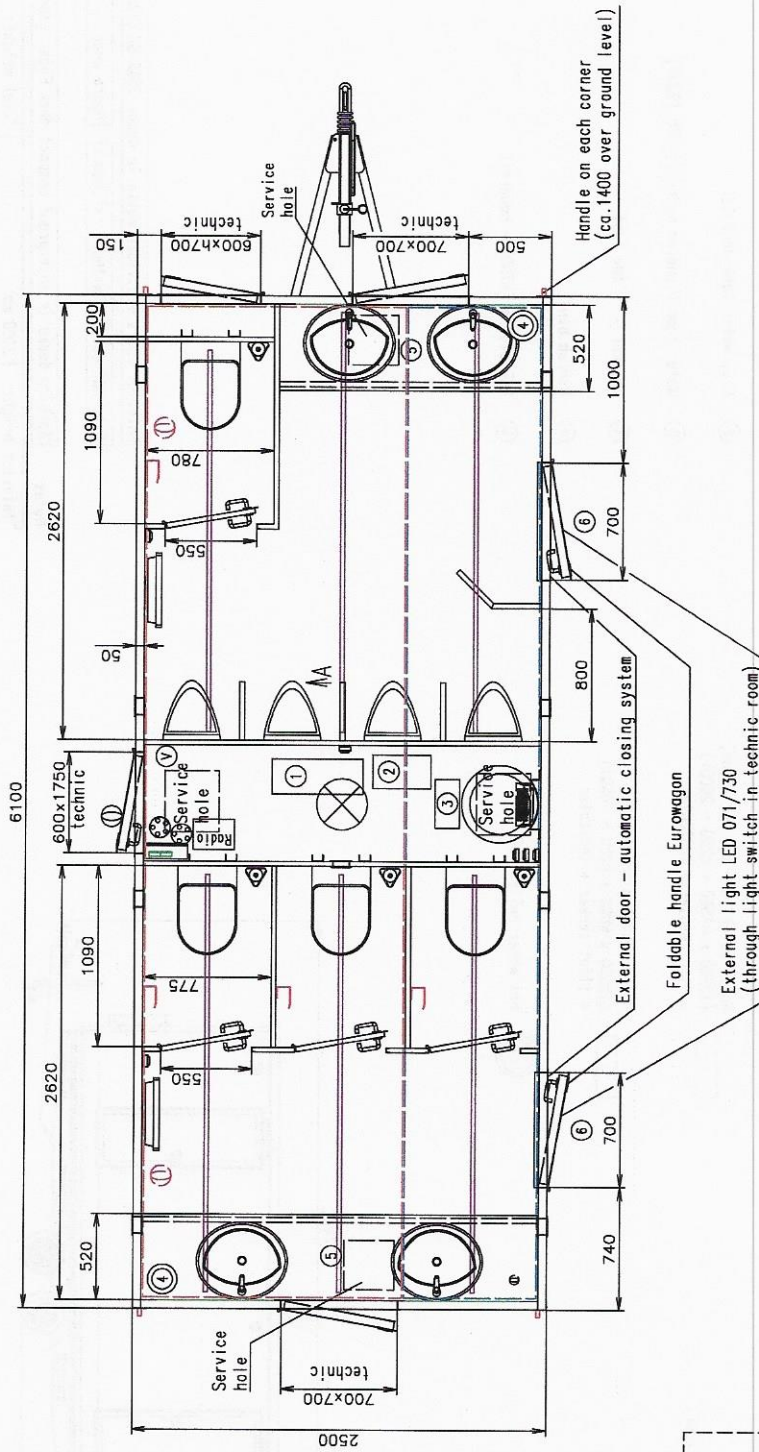


Connection hoses and cables

Water hose:	✓
Waste water hose:	✗
Electric cable:	✓



Interior doors + divider walls in decor 0589 SG Orca
 External doors - without cylinders
 Spare wheel - free loaded

Notes: Working desks in waterproof compact desk Egger (dark color)

Interior height:	2100 mm	Total weight:	3500 kg
Color:	RAL 7042	Tare weight-estimate:	-
Floor:	PVC Jupiter 148708	Centre of wheels from rear side:	2990 mm
Date:	10.10.2019	Wheels:	195/50 R13C
		Drawing number:	(3188-61)
		3405-61-sketch 1_1/2 (Sprenger)	

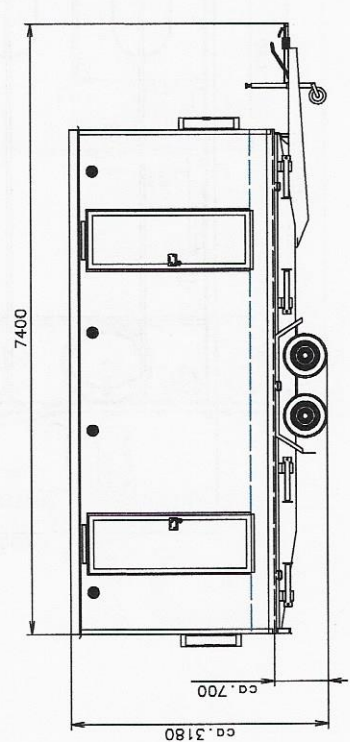
(Cabling and piping is not shown on the 3D views and drawings)

Connection hoses and cables	
Water hose:	✓
Waste water hose:	✗
Electric cable:	✓

- Ⓞ Water connection 3/4" (through the wall) + filter + reduction valve
- Ⓢ 2x Electric connection (through the wall) (230V-16A) (1x heatings) (1x the rest)
- Ⓣ Effluent connection 2.5" (under floor from tank) or 1" (directly from jets pump, through wall)
- Ⓚ Power point
- Ⓛ Light switch
- Ⓜ Switch board (1200 over floor)
- Ⓧ Sensor light
- LED stripe
- ▬ Heating (500W)

- Ⓛ Heating (750W)
- Ⓢ Wash-basin (built-in) Multi 1690 (550x470) + standard water tap
- Ⓣ Vacuum toilet Jets
- Ⓚ Urinal - Uridan (waterless)
- Ⓛ Waste-water tank (on the floor) (15960 x w1560 x h250 = 2000l) + float sensor + indicator
- Ⓧ Water tank (on the floor) (15960 x w800 x h250 = 1000l) + float sensor + indicator
- Ⓚ Hot water boiler (50 l)

- Ⓛ Ventilation ø120
- Ⓢ Brush toilet
- Ⓣ Special toilet paper holder
- Mirror (2200x850 and 1400x850) + frame around
- ① Vacuumator Jets 15MB
- ② Gray water tank Jets 12l
- ③ Water pump Grundfos hydrojet JP5 (230V)
- ④ Speaker - in the roof
- ⑤ Rubish bin
- ⑥ VIP stairs (w700) + handrail



Interior doors + divider walls in decor 0599 Sg Orca
 External doors - without cylinders
 Spare wheel - free loaded

Notes: Working desks in waterproof compact desk Egger (dark color)

Interior height:	2100 mm	Total weight:	3500 kg
Color:	RAL 7042	Tare weight-estimate:	-
Floor:	PVC Jupiter 148708	Centre of wheels from rear side:	2990 mm
Date:	10.10.2019	Wheels:	195/50 R13C
		Drawing number:	(3188-61)
		3405-61-sketch 1_2/2 (Sprenger)	

(Cabling and piping is not shown on the 3D views and drawings)