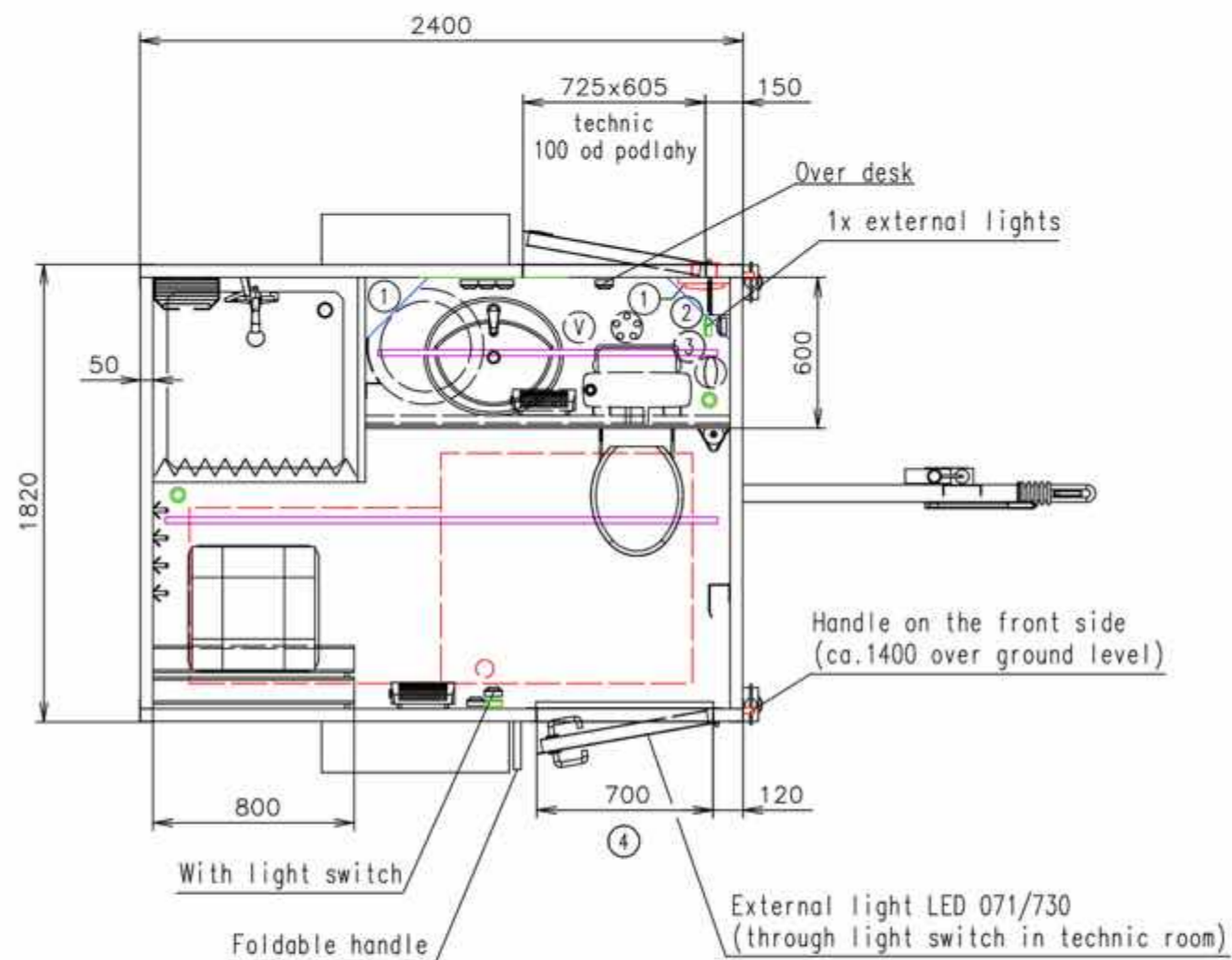


Connection hoses and cables	
Water hose:	✓
Waste water hose:	✓
Electric cable:	✓



Working desks in waterproof compact desk Egger (dark color)

Chassis covered by plastic/cloth skirt - gray color

Notes: External doors - without cylinders Spare wheel - free loaded

Interior height:	2100 mm	Total weight:	750 kg
Color:	RAL 7042	Tare weight-estimate:	-
Floor:	PVC Jupiter 148708	Centre of wheels from rear side:	1100 mm
Date:	6.11.2018	Wheels:	165/70 R13

Drawing number: (17-24)
3140-24-sketch 1_1/2 (Sprenger)

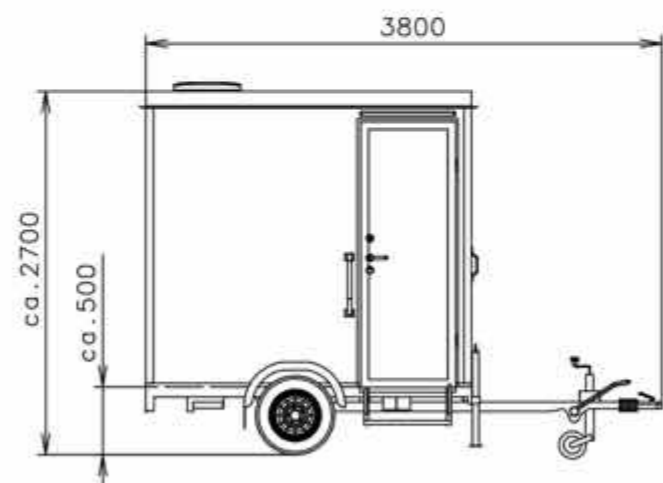
(Cabling and piping is not shown on the 3D views and drawings)



Connection hoses and cables	
Water hose:	✓
Waste water hose:	✓
Electric cable:	✓



- Water connection 3/4" (on the chassis) + filter + reduction valve
- Electric connection (through the floor) (230V-16A)
- Effluent connection 1"
- Power point
- Light switch
- Switch board (500 over floor)
- LED stripe
- Heating (500W)
- Electric ventilator 230V (with light)
- Floor heating
- Thermostat of floor heating
- Floor drain hole
- Shower (800x800) Cola
- Wash-basin (built-in) Multi 1690 (550x470) + standard water tap
- Hanging toilet + pump Setsan (toilet seat - steel holders)
- Hot water boiler (50 l)
- Roof window Dometic (400x400)
- Wooden bench
- Brush toilet
- Special toilet paper holder
- Shelf steel
- Shower curtain
- Clothes hanger
- Mirror (600x600) + black frame around
- Shelf (panel 25) (250 x 250, 300 over desk)
- Speaker - in the roof
- Radio - in the technic room
- Foldable stairs Serena (one foldable step)



(Cabling and piping is not shown on the 3D views and drawings)

Working desks in waterproof compact desk Egger (dark color)

Chassis covered by plastic/cloth skirt - gray color

Notes: External doors - without cylinders Spare wheel - free loaded

Interior height:	2100 mm	Total weight:	750 kg
Color:	RAL 7042	Tare weight-estimate:	-
Floor:	PVC Jupiter 148708	Centre of wheels from rear side:	1100 mm
Date:	6.11.2018	Wheels:	165/70 R13



Drawing number: (17-24)
3140-24-sketch 1_2/2 (Sprenger)